

specifications

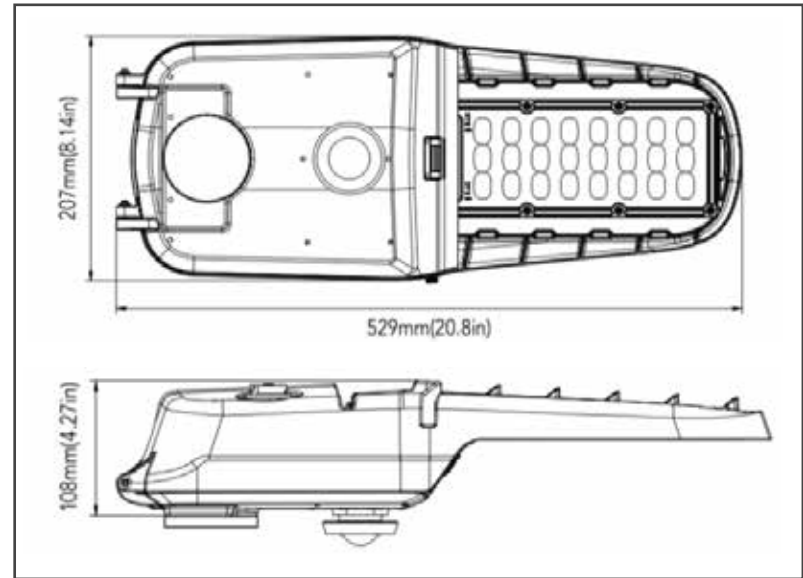
Lens	Consumption	Lumen Output	Efficacy	Finish	Material	L70 hours	SP	Ambient Temp (F)	Power Factor	UL listing	THD	Voltage	CRI
polycarbonate	70 W	9,900	141 LM / W	silver powder coat	die-cast aluminum	50,000	10 KV optional	-40° - 131°	> 0.9	wet location	<20%	120 - 277 V	>70

select your lamp

Part Number	Color Temperature
GI-CHF-D250-UL4	4000K

Included Accessory
GI-ACC-LV-TLPC

other				
Dimensions	Distribution	Warranty	Weight	Case QTY
20.8" x 8.14" x 4.27"	IESNA type III	6 years	8.664 lbs	1 pc

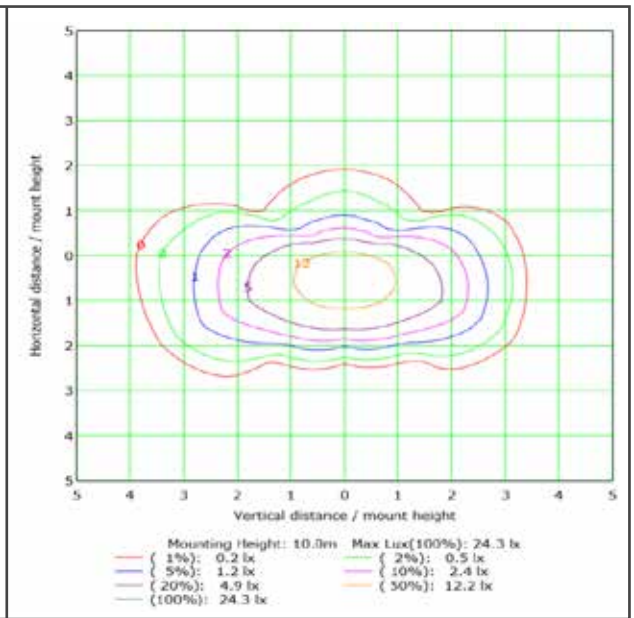
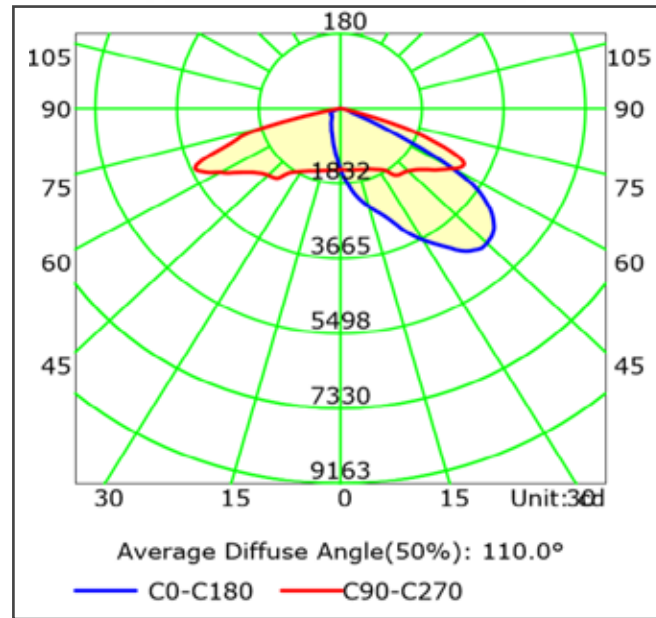


arm opening can accommodate between 1 3/4" to 2 1/2" diameter



Luminous Intensity Diagram

Vertical Isolux Plot



Features

- Durable, die-cast aluminum housing to ensure strength & longevity.
- Standard 0-10v dimming.
- Ideal for illuminating walkways and roadways.

Not all product variations listed on this page may be DLC qualified. Visit [www.designlights.org/search](http://www.designlights.org/search) to confirm qualification.

