




specifications

Lens	Finish	Material	Efficacy	L70 hours	SP	Ambient Temp (F)	Power Factor	UL listing	THD	CRI
polycarbonate	silver powder coat	die-cast aluminum	134 lm / W	50,000	10 KV optional	-40° - 131°	> 0.9	wet location	<20%	>70

select your lamp

Part Number	Color Temperature	Consumption	Lumen Output	Voltage
GI-CHF-D400HO-UL4	4000K	150 W	20,000	100 - 277 V
GI-CHF-D400HO-480UL4	4000K	150 W	20,000	347 - 480 V

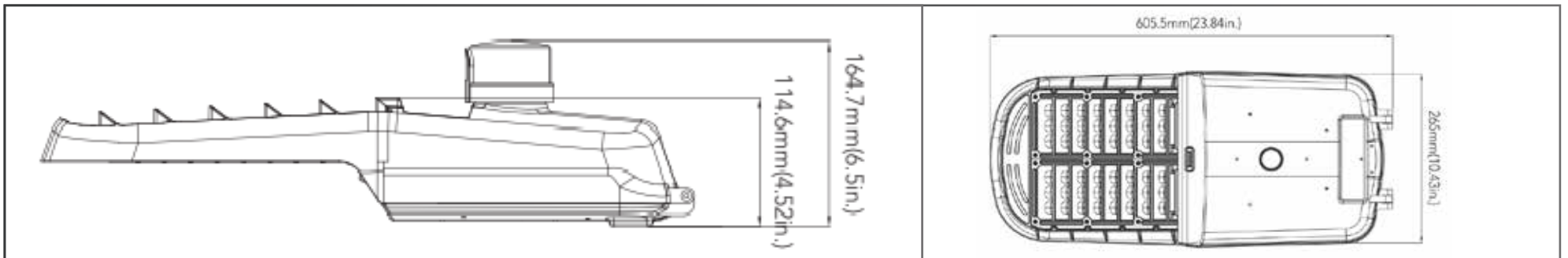
other

Included Accessory	Dimensions	Distribution	Warranty	Weight	Case QTY
GI-ACC-LV-TLPC 	23.84" x 10.43" x 6.5"	IESNA type III	6 years	9.46 lbs	1 pc

Features

- Durable, die-cast aluminum housing to ensure strength & longevity.
- Standard 0-10v dimming.
- Ideal for illuminating walkways and roadways.

arm opening can accommodate between 1 3/4" to 2 1/2" diameter



Not all product variations listed on this page may be DLC qualified. Visit www.designlights.org/search to confirm qualification.

